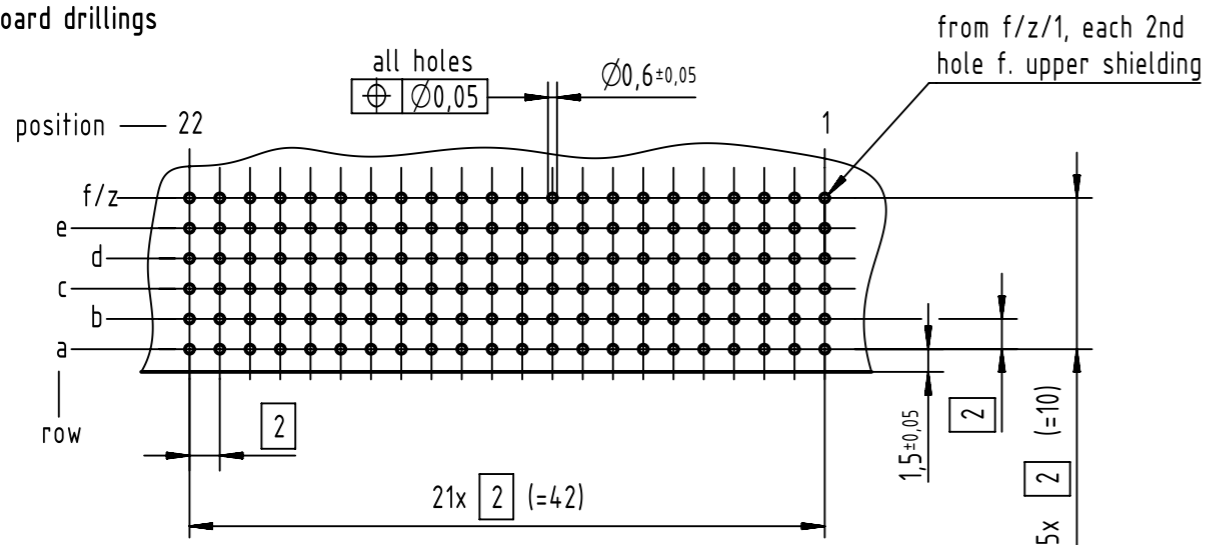


board drillings



1 recommended configuration of plated through holes and further information see: DS 17002200101

17 24 110 5102	Au50
17 24 110 4102	NM30 (S4)
17 24 110 2102	2
17 24 110 1102	1
part no.	performance level 1

		All Dimensions in mm Original Size DIN A3		Scale 1:1	Free size tol. IEC 61076-4-101	Ref. Sub.
All rights reserved Department EL PD		Created by STORCK	Inspected by LEHNERT	Standardisation HOFFMANN	Date 2019-02-28	State Final Release
HARTING Electronics GmbH D-32339 Espelkamp		Title har-bus HM female type B-22 with shield 110-pole				Doc-Key / ECM-Nr. 100120041/UGD/008/B 50000014.1026
		Type TB	Number 1724110X102			Rev. B
						Page 1/1